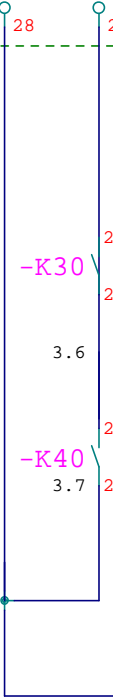
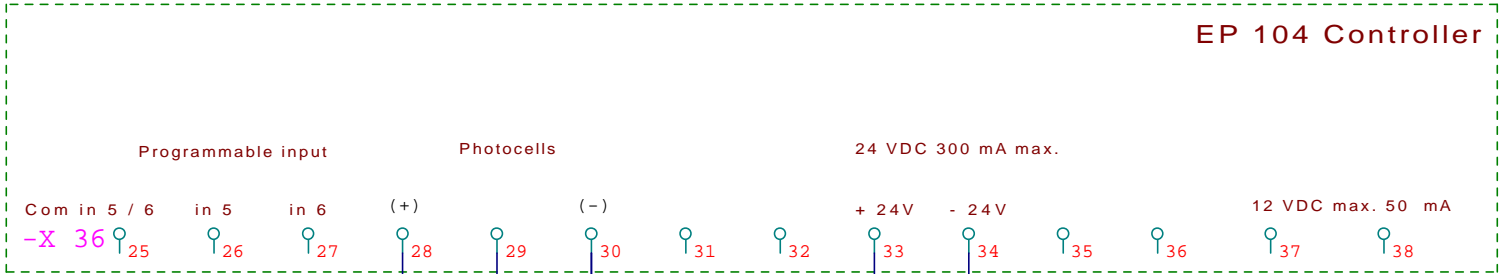
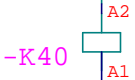
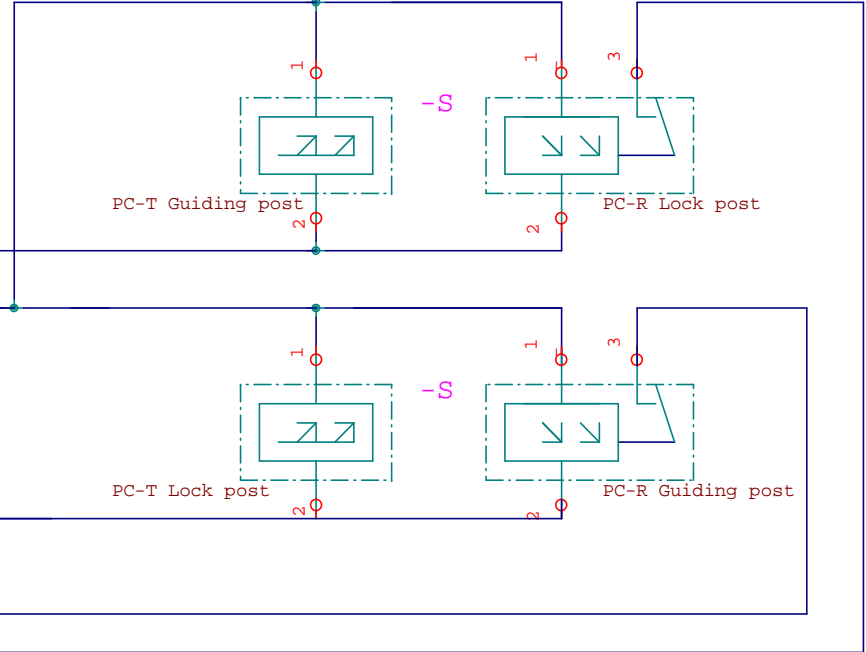


EP 104 Controller



Page 2 / 3D +

Page 2 / 3D -



| | | | | | | | | | | | | | | | | | | |
|-------|----------|--------|-------------|------|------------|---------|------------------|---------------|------------------------------|---------|---|---------|--|-----------|--|--|--|--|
| | | Datum | 25.02.2015 | | | | | | | | | | | | | | | |
| | | Bearb. | Kiesewalter | | Photocells | | BETAFENCE | | EP_104 Controller Photocells | | | | | | | | | |
| | | Gepr. | | | | | | | | | | | | | | | | |
| Zust. | Änderung | Datum | Name | Norm | Urspr. | Ers. f. | Ers. d. | Projektseiten | | Gesamt: | | Blatt 3 | | von 5 Bl. | | | | |
| 1 | | 2 | | | 3 | | 4 | 5 | 6 | 7 | 8 | | | | | | | |