



New Products

2024 Season



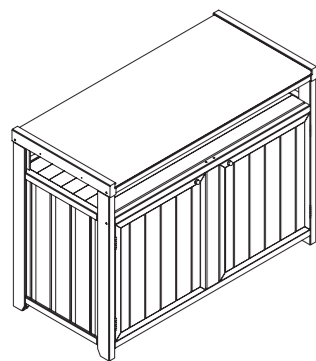
www.knight-fencing.co.uk

Terraza Outdoor Kitchen Range



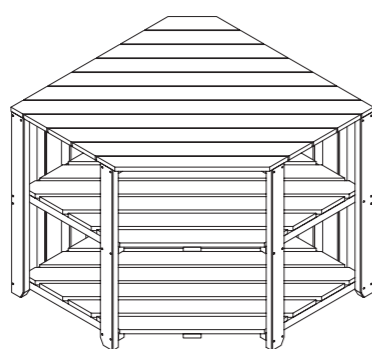
Terraza Outdoor Kitchen Range

A Double Unit



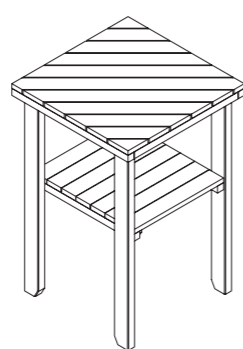
Product Code: 36101
Size: W x D x H
1.21m x 0.58m x 0.89m

B Corner Unit

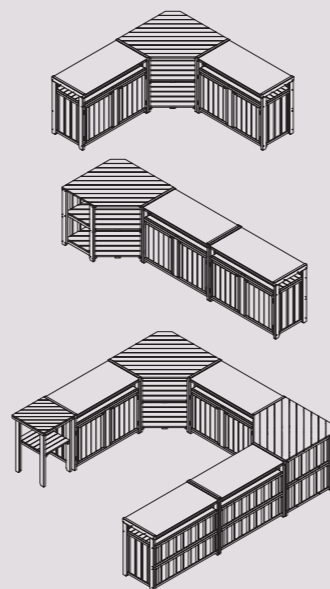


Product Code: 36102
Size: W x D x H
1.00m x 1.00m x 0.89m

C Side Table



Product Code: 36103
Size: W x D x H
0.58m x 0.58m x 0.89m



Modular Design

Terraza Outdoor Kitchen Set

Absolutely on trend for outdoor entertaining, Zest is launching a stunning collection which provides a sustainable route to alfresco cooking, and one which will blend into the garden beautifully. Made from PEFC (PEFC/16-37-1490), sustainable slow grown soft wood from responsibly managed forests and with a 10 year guarantee against rot, all products in the Terraza Outdoor Kitchen range can be purchased individually or as a set comprising two double units and a display corner unit. There is also an optional side table to extend the serving space.

The double kitchen unit offers ample storage for tools and cooking equipment. The additional open sided top shelf is ideal

for serving utensils. It comes with a stainless steel top which is perfect for food preparation. The corner unit provides masses of storage and is also perfect for setting up a pizza oven and is the standard working height you would find in an indoor kitchen. Delivered flat packed, the Terraza Outdoor Kitchen can be easily assembled on a firm solid ground to give years of outdoor enjoyment.

All items coordinate with existing Zest outdoor entertaining products including the Zest Garden Bar and Two Stool Set and the Zest Garden Pizza Oven Table to create the perfect natural outdoor kitchen and entertaining area.

2x Double Units

1x Corner

Product Code: 38341





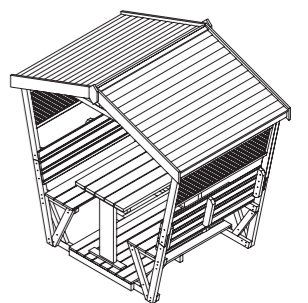
Stirling Arbour

A sanctuary in which to enjoy the garden, this covered seating arbour offers ample space for four people to sit and enjoy dining, relaxation, or coffee and conversation. Including a spacious fitted table, delightful trellis panels and comfortable angled seats, the Zest Stirling Arbour is suitable for any occasion.

Expertly designed using DFMA (Designed for Manufacture and Assembly) principles, the Stirling Arbour is designed to be packed efficiently for more sustainable transportation. A family favourite at a competitive price point which will fit into any garden.

The Stirling Arbour is made from PEFC (PEFC/16-37-1490), sustainable slow grown softwood from responsibly managed forests and comes with a 10 year guarantee against rot.

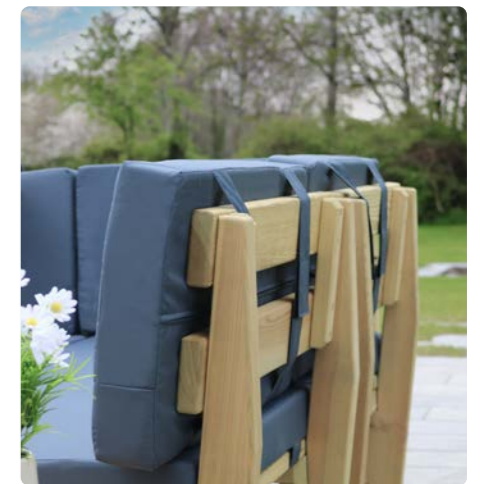
Product Code: 36094
Size: W x D x H
2.12m x 1.44m x 2.10m





“ The Aria Modular Seating Range brings a versatile design to the Zest Range. The chunky construction maximises the natural woods appeal, which is perfectly contrasted with the contemporary slate grey cushions. We created this range to be configurable to all needs and it can be expanded with additional compatible pieces to create a custom layout to provide relaxation in any outdoor space. ”

New Product Development Team
Zest



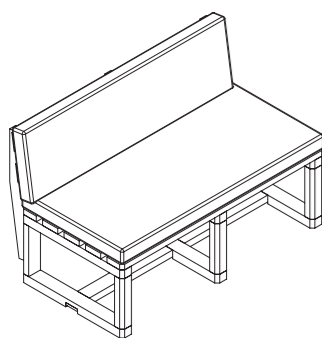
Aria Modular Seating Range

Double Seat

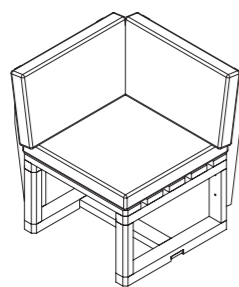
Corner Seat

Single Seat

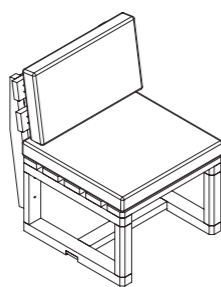
Table



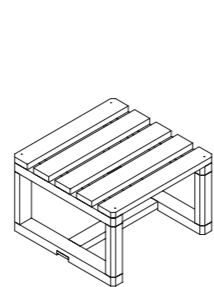
Product Code: 36097
Size: W x D x H
1.20m x 0.69m x 0.74m



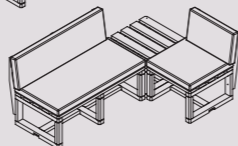
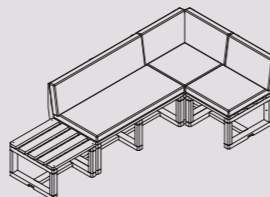
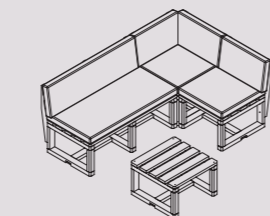
Product Code: 36100
Size: W x D x H
0.69m x 0.69m x 0.74m



Product Code: 36098
Size: W x D x H
0.60m x 0.69m x 0.74m



Product Code: 36099
Size: W x D x H
0.60m x 0.60m x 0.38m



Modular Design

Aria Modular Seating Set

Outdoor entertaining is massively on trend and, to maximise the potential of spending relaxation time outdoors and close to nature, the perfect seating solution is not only comfortable and stylish, but modular to make the most of the available space. Zest's new Aria Modular Seating Set is an ideal product which provides mix and match configurations comprising a double seat, a single seat, a corner seat and a table, which doubles as a foot stool, all with deep and chunky contemporary grey cushions included. Each item can be purchased separately or as an addition to the standard set.

With a sturdy and sustainable frame, made from PEFC (PEFC/16-37-1490), sustainable slow grown softwood from responsibly managed forests, Aria Modular Seating offers generous space and angled back support for optimal comfort in a low lounging seat design. The Aria Modular Seating comes with a 10 year guarantee against rot.

The easy build construction and angular form offers a modern twist on traditional materials. Developed to offer a unique alternative aesthetic to the eco-conscious user in a rattan saturated sector.

1x Double Seat 1x Corner Seat
1x Single Seat 1x Table
Product Code: 38341





“ We set out to make a beautiful product that would enhance the growing experience in smaller outdoor areas. We selected materials with quality craftsmanship to work in harmony to bring years of joy to new and experienced growers alike. ”

New Product Development Team
Zest

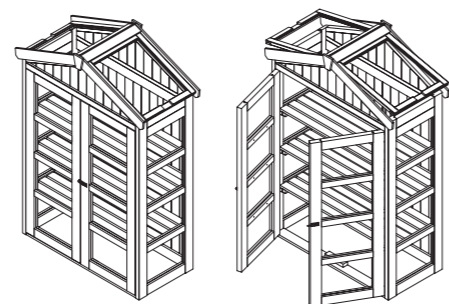


Tall Botanical Greenhouse

Zest's new space saving Tall Botanical Greenhouse combines stunning looks with all the functionality of a greenhouse. It is made from PEFC (PEFC/16-37-1490), sustainable slow grown softwood from responsibly managed forests and designed to blend perfectly with the natural world. Most suited for positioning against the wall of the house or outbuilding. Fully glazed with quality Perspex to allow light through both roof and sides, the Zest Tall Botanical Greenhouse boasts two fully adjustable roof panels with securing latches for confidence and safety allowing for optimal temperature control for all types of plants.

It has removable shelves which can also be reconfigured to a half width to allow for taller plants as required and its classic greenhouse look combined with its superb practicality makes it an outstanding winner for a GYO enthusiast.

Product Code: 37678
Size: W x D x H
1.56m x 0.67m x 1.99m



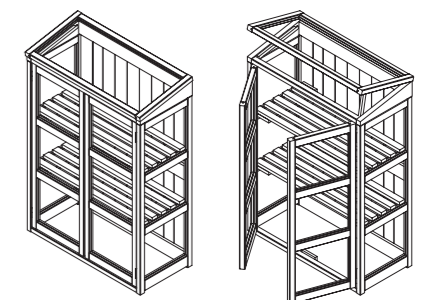


Compact Botanical Greenhouse

Outdoor living expert Zest is launching the Compact Botanical Greenhouse, a high quality Perspex glazed, small space greenhouse, ideal for nurturing young plants. It has a sustainable, sturdy wooden frame made from PEFC (PEFC/16-37-1490), sustainable slow grown softwood from responsibly managed forests and has hinged doors and an opening roof with dual height stays for optimum ventilation. It comes complete with door catches and strategically placed drainage holes in the roof frame. Ideal for those with a balcony, patio or small city garden.

With two large shelves, which are removable to accommodate taller plants, this product is perfect for aspirational and convenience gardeners who have limited space in which to enjoy growing flowers, fruit and vegetables.

Product Code: 36108
Size: W x D x H
0.85m x 0.40m x 1.23m





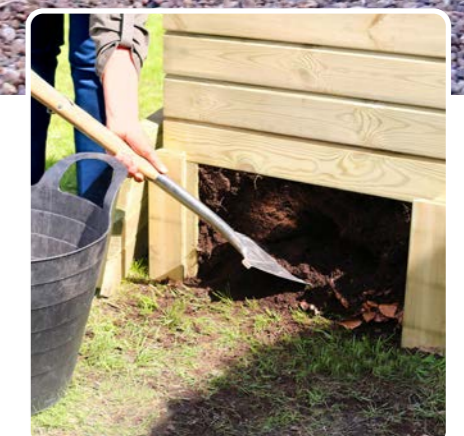
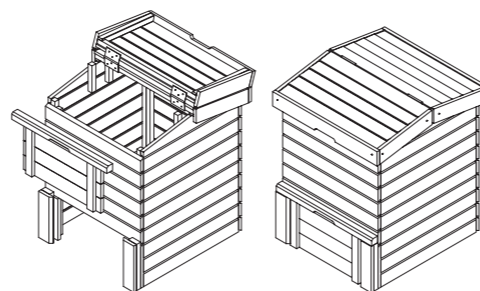
Eco Hive Composter

Making your own compost at home is now a massive and environmentally beneficial garden trend, but compost bins can be unattractive even if useful and desirable. Zest's new Eco Hive Composter not only has some super functional advantages, but it is also an attractive addition to any garden. Shaped like a traditional beehive and made from PEFC (PEFC/16-37-1490), sustainable slow grown softwood from responsibly managed forests, this product is a winner from the start.

Add to that a large 405 litre capacity and an open base that helps to produce internal heat which makes compost faster, ensuring this is a really practical purchase. The lid opens either side and folds back on itself for ease of removal in order to churn the compost and gardeners can easily harvest the compost from the lower hatch. Narrow gaps in the side panels allows air to circulate in the composter whilst keeping the rain out. The angled 'cant cut' timber boards keeps the waste inside hidden and out of sight as well as having a more modern aesthetic and aids ventilation.

The timber lid and side panels help to manage the temperature and moisture content, retaining the heat and ventilating the compost - which is needed in order to speed up decomposition. The open base allows micro-organisms, worms and slugs from the ground to get into the waste heap and help to break it down into top quality compost.

Product Code: 36096
Size: W x D x H
0.75m x 0.82m x 0.96m



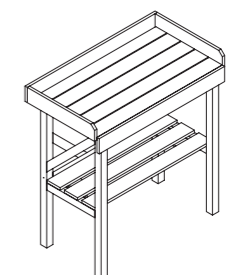


Potting Bench

The perfect multipurpose Potting Bench and garden work table, this is the ideal product for starting seedlings and potting plants at a comfortable working height. With a wide edging and cross brace support, this is a practical, sturdy garden essential. And with a shelf to allow for extra storage space, it keeps the work top free for potting and planting.

An added benefit is that the shelf is removable not only allowing for the storage of larger items below, but also enabling the bench to be made accessible for wheelchair access or seating. It is made from PEFC (PEFC/16-37-1490), sustainable slow grown softwood from responsibly managed forests and comes with a 10 year guarantee against rot.

Product Code: 36105
Size: W x D x H
0.89m x 0.48m x 0.93m





*Knight Fencing Ltd.
Ferry Yard
Sidlesham
Nr. Chichester
West Sussex
PO20 9ED*

www.knight-fencing.co.uk
01243 641272
info@knight-fencing.co.uk



Every effort has been made to provide up to date factual information, but as our policy is one of continual improvement we reserve the right to modify or change specifications as necessary. No liability will be accepted for errors and omissions. All guarantees are conditional and if you are in any doubt as to the terms and conditions, please feel free to contact us. All sizes where quoted are approximate and in metric. Products have been measured to maximum exterior dimensions including roof overhang unless otherwise stated. Some specifications may vary due to availability and product improvements. Colour has been applied to some products for photographic purposes only. We take great care in the photographic accuracy of products shown in our brochure, however due to variables in both photographic and printed processes and the natural characteristics of wood, colours may not exactly match the actual products. All orders below £750 will incur a delivery charge (UK Mainland only).

Our policy is one of continuous improvement.
We therefore reserve the right to modify product designs and specifications without prior notice.

