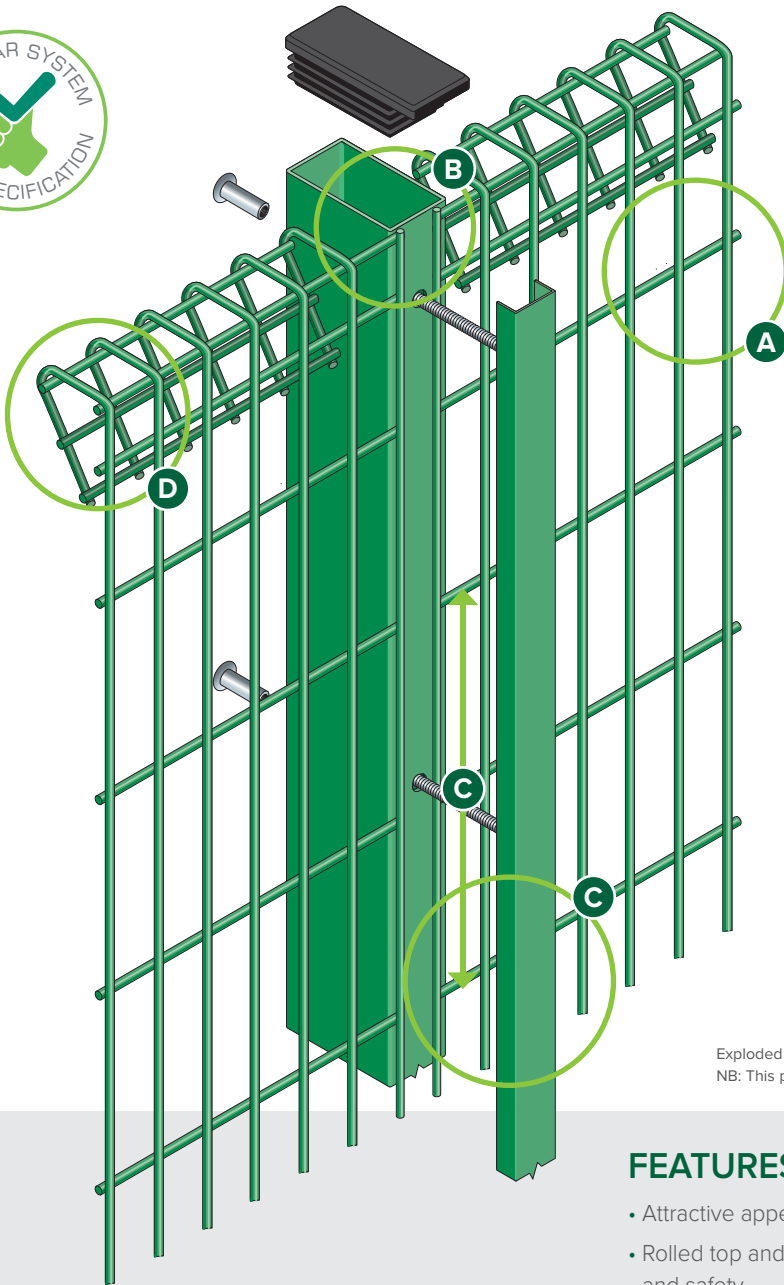


# ROTOP™

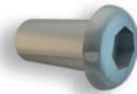
## RIGID PANEL SYSTEM



- A** Fully resistant welded joints
- B** Galvanised and polyester powder coated RHS post
- C** Full length clamp bar for secure fixing and infinitely variable panel stepping within post length
- D** Rolled Top and Base

Conforms to **BS1722: Part 14**

**Safefix**



Safefix fixing system for added safety & security.

Exploded view of post and clamp for Rotop panel system  
NB: This product has additional features not demonstrated for security reasons

### FEATURES

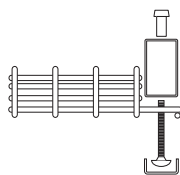
- Attractive appearance
- Rolled top and bottom beam for rigidity and safety
- Wide range of height options
- RAL colours available

### SUITABLE FOR

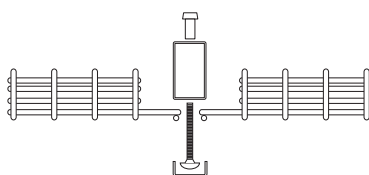
- Public buildings
- Schools
- Car parks
- Business parks and retail premises
- Sports stadiums

### SYSTEM DETAILS

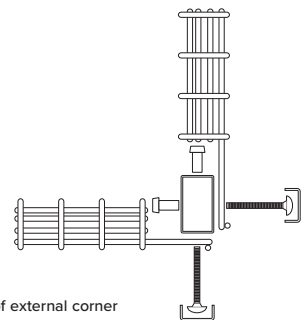
Drawings are for illustrative purpose only



Plan of end



Plan of panels in line



Plan of external corner



## DESCRIPTION

There are times when fencing needs to be as practical and hard wearing as it is attractive, and the Rotop™ rigid panel system is exactly that. The welded steel mesh panels with rolled top and bottom beams, acts as an ideal perimeter while providing essential rigidity and safety. For projects that require a taller fence, we can offer a double lift system that provides a "middle roll" for enhanced aesthetics.

Perfect in places such as nurseries, primary schools and sports facilities, Rotop™ will keep its shape and remain strong despite the daily impacts of people and sporting equipment. Alternative uses include car parks, business parks and retail premises.

Each fencing panel is fitted to 60 x 40mm RHS steel posts using a full length clamp bar, while SafeTfix™ hidden security fixing allows for easy stepping when faced with a gradient. With many height options and RAL colours to choose from, it's a great all-round fencing solution.

Rotop™ also conforms to BS 1722-14 for open mesh steel panel fences, plus you get the added peace of mind of our standard 15 year guarantee against manufacturing defects.

### FINISH

Galvanised and polyester powder-coated after stringent cleaning and treatment, to give a well adhered coating of a minimum of 60 microns. The full RAL range of colours are available.

## PANEL DIMENSIONS

<b>Heights</b>	900, 1200, 1500, 1800mm (other heights available as double lift)
<b>Panel width</b>	3000mm
<b>Mesh size</b>	150 x 50mm
<b>Wire diameter</b>	5mm
<b>Top edge projection</b>	Nil wire is flush on all edges

All dimensions are nominal

## ROTOP POSTS AND CLAMPS

The RHS posts are supplied complete with a full-length clamping channel, fixed with cup square M8 bolts and SafeTfix™ nuts or permacone nuts.

### SLOPING GROUND

Panels can be stepped as required. Where gradients exceed 1:16, it is recommended that taller panels are either part-buried or additional posts are used.

### VARIATIONS

In addition to the standard posts many variations are available to accommodate site requirements:

- Alternative sections
- Wall fixing plates, cranked posts or base plated



### DIMENSIONS

<b>Posts</b>	60 x 40mm RHS
<b>Clamping channels</b>	41 x 21mm
<b>Post centres</b>	3010mm

